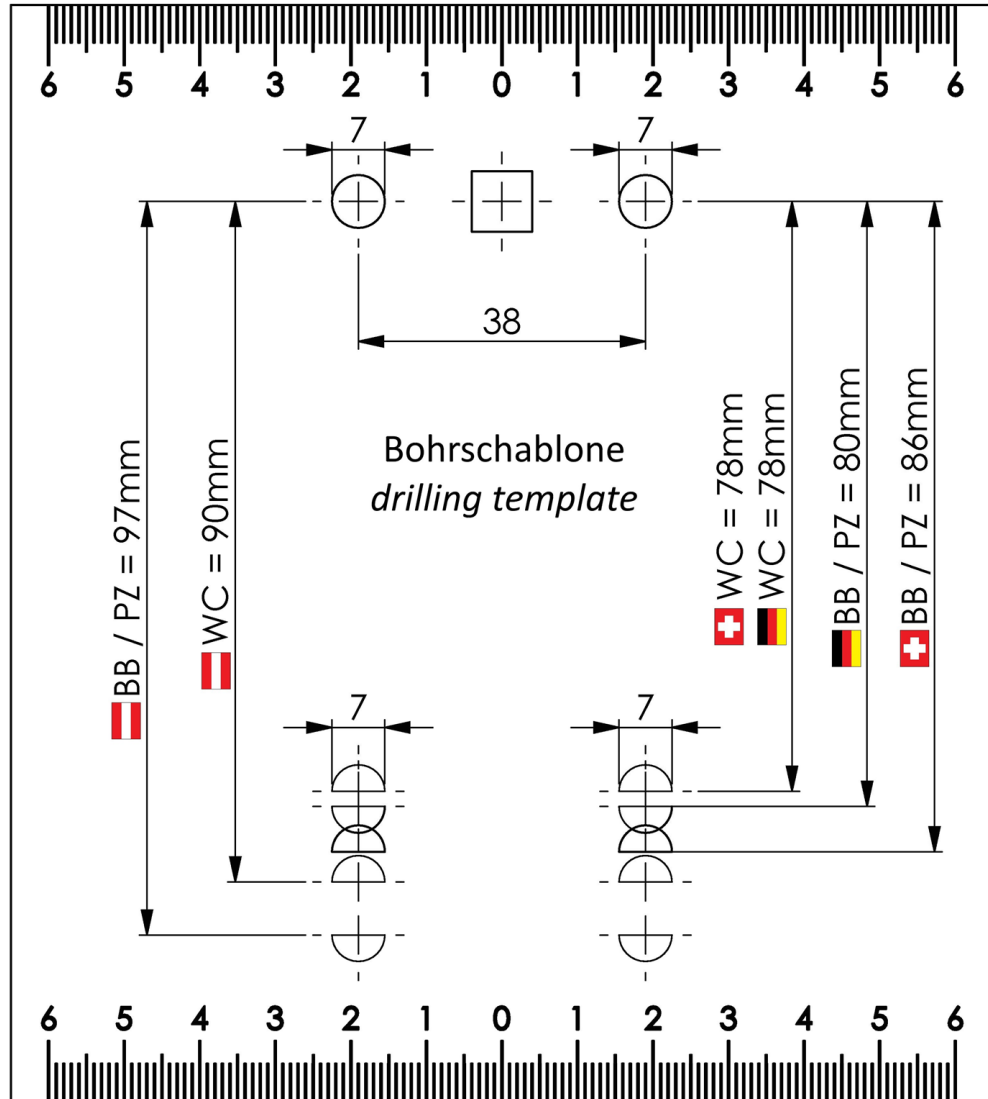
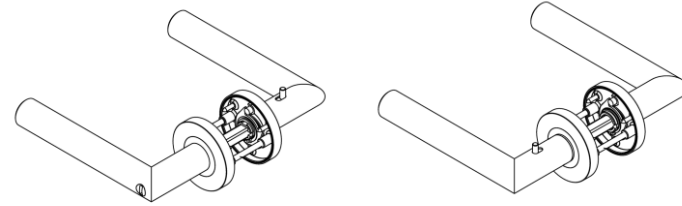


Druckgröße 100 % verwenden 280 x 160mm
/ use print size 100% 280 x 160mm



MONTAGEANLEITUNG DRÜCKERGARNITUR SCHRAUBTECHNIK SMART2LOCK MOUNTING INSTRUCTIONS HANDLE SET SCREW-ON TECHNIQUE SMART2LOCK


Ausgelegt für Türstärkenbereich 38-45mm / designed for door thickness range 38-45mm

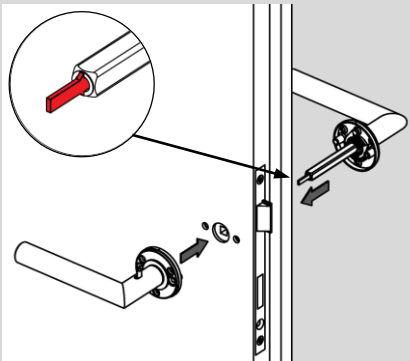


The mounting instructions are presented in four numbered steps:

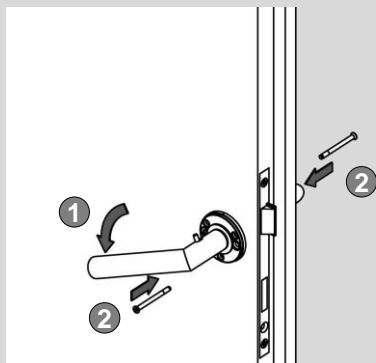
- 1** The mounting bracket is shown being aligned with the door edge. An arrow points to the bracket's position on the door.
- 2** The mounting bracket is shown being secured to the door edge with a screw. An arrow points to the screw's position.
- 3** The handle is shown being inserted into the mounting bracket. An arrow points to the handle's position.
- 4** The handle is shown being tightened with a screwdriver. A warning icon (exclamation mark in a triangle) is present. Two circular insets show the correct and incorrect tightening techniques: a red 'X' indicates over-tightening, and a green checkmark indicates correct tightening.

Bitte Montageanleitung des Schlosshersteller beachten.
Please note the mounting instructions of lock manufacturer.

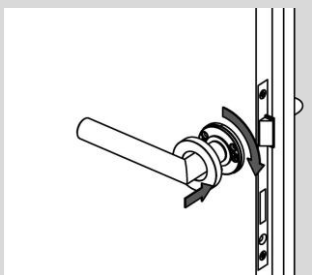
5  Stift muss senkrecht stehen /
Pin must be vertical



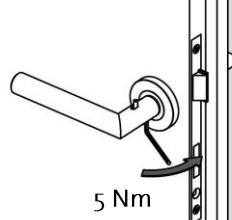
6



7



8



Bei neuer Montage bitte neue Madenschraube
verwenden / Please use new grub screw for new
mounting

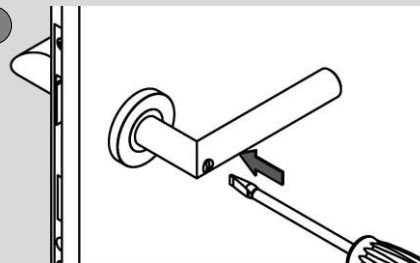
**Notentriegelung /
emergency release**



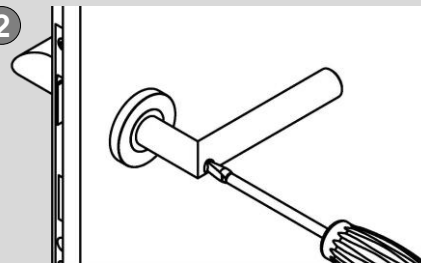
Notentriegelung immer gegen den Uhrzeigersinn
emergency release always counterclockwise

Notentriegelung nach erfolgter Montage prüfen / check emergency release after installation

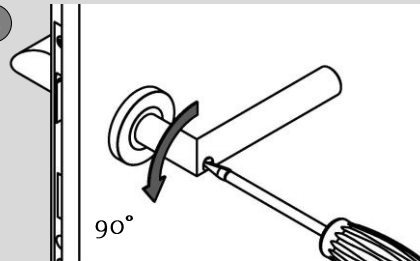
1



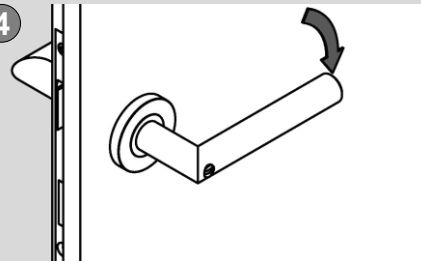
2



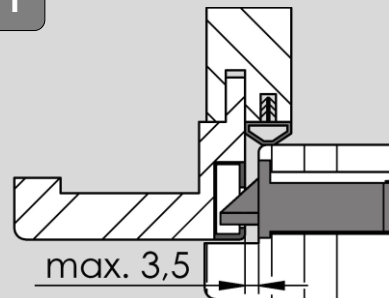
3



4



I



Um eine einwandfreie Funktion der SMART2LOCK
Garnituren zu gewähren, darf der Abstand zwischen
Schließblech und Schloßstulp max 3,5mm betragen.
Ggf. muss das Türblatt über ein Einstellen der Bänder
angepasst werden.

In order to ensure proper functioning of the
SMART2LOCK fittings, the distance between the strike
plate and the lock faceplate must not exceed 3,5 mm. If
necessary, the door leaf must be adjusted by adjusting
the hinges.

Verriegelung / interlock

offen / open



geschlossen / closed

